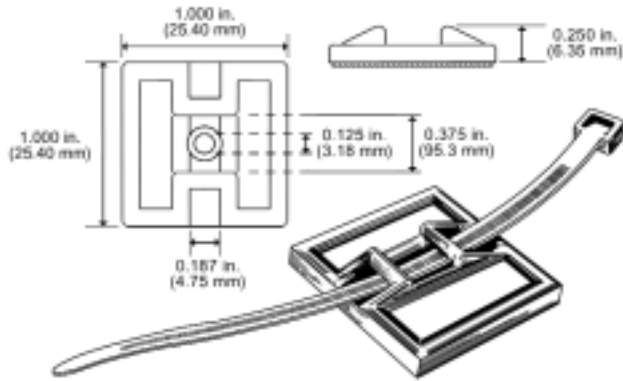
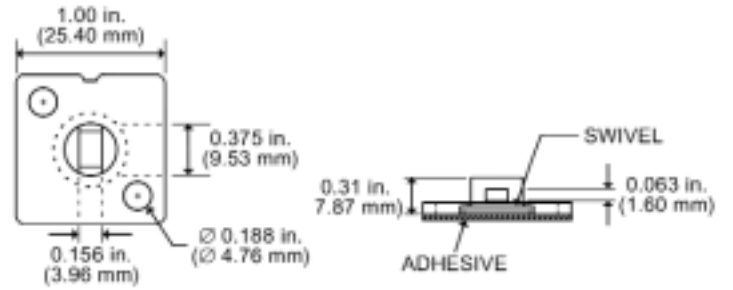


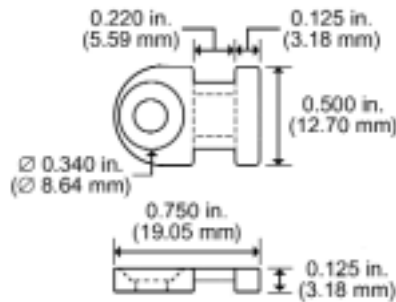
WTCM-1
1 WAY - Adhesive Back



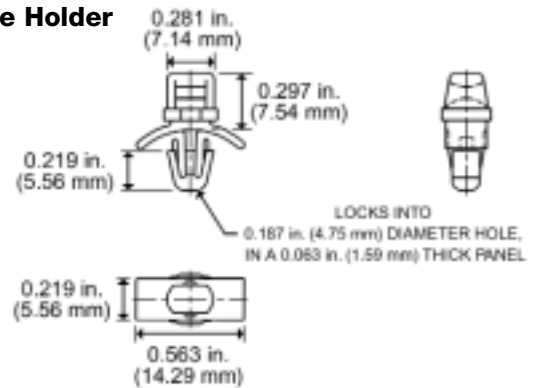
WTCM-2
SWIVEL TYPE - Adhesive Back



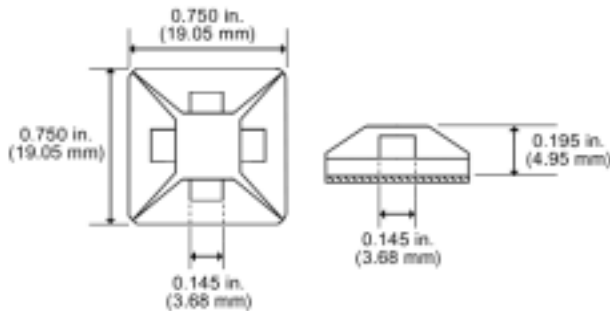
WTCM-3
Flat Tie Holder



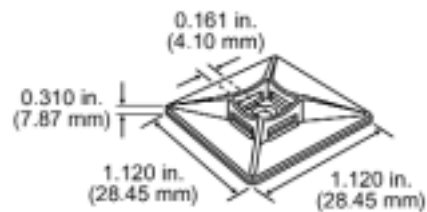
WTCM-4
Flat Tie Holder



WTCM-7
2 WAY - Adhesive Back



WTCM-8
2 WAY - Adhesive Back w/ Screw Mount



WTT-1
TENSIONING TOOL
designed for use on
18 to 50 lbs. tensile
strength ties

