

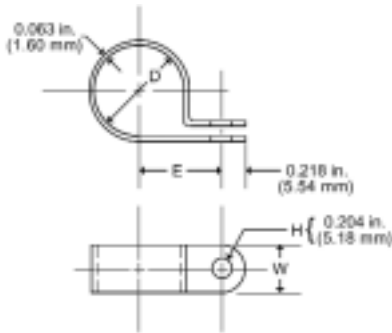
# CABLE CLAMPS

**CLE  
CLN**

## ETHYL CELLULOSE CLAMPS (CLE)

A low cost clamp with excellent shock resistance in a temperature range from -40°F (-40°C) to 185°F (85°C).

Standard Color: Amber



Catalog Number Size	Dimensions						Standard Package pcs / pkg
	D		E		W		
	inches	mm	inches	mm	inches	mm	
CLE-1/8	0.125	3.18	0.328	8.33	0.500	12.70	100, 1000
CLE-3/16	0.188	4.78	0.390	9.91	0.500	12.70	100, 1000
CLE-1/4	0.250	6.35	0.422	10.72	0.500	12.70	100, 1000
CLE-5/16	0.313	7.95	0.453	11.51	0.500	12.70	100, 1000
CLE-3/8	0.375	9.53	0.484	12.29	0.500	12.70	100, 1000
CLE-7/16	0.438	11.13	0.531	13.49	0.500	12.70	100, 1000
CLE-1/2	0.500	12.70	0.563	14.30	0.500	12.70	100, 1000
CLE-9/16	0.563	14.30	0.594	15.09	0.500	12.70	100, 500
CLE-5/8	0.625	15.88	0.625	15.88	0.500	12.70	100, 500
CLE-11/16	0.688	17.48	0.656	16.66	0.500	12.70	100, 500
CLE-3/4	0.750	19.05	0.766	19.46	0.500	12.70	100, 500
CLE-7/8	0.875	22.23	0.813	20.65	0.500	12.70	100, 500
CLE-1	1.000	25.40	0.906	23.01	0.500	12.70	100, 500

## NYLON CLAMPS (CLN)

These clamps are more durable, resist acids better, and have a higher operating temperature (275°F (135°C)) than ethyl cellulose.

Standard Colors: Natural or Black

Catalog Number Size	Dimensions						Standard Package pcs / pkg
	D		E		W		
	inches	mm	inches	mm	inches	mm	
CLN-1/8	0.125	3.18	0.328	8.33	0.375	9.53	100, 1000
CLN-3/16	0.188	4.78	0.390	9.91	0.375	9.53	100, 1000
CLN-1/4	0.250	6.35	0.422	10.72	0.375	9.53	100, 1000
CLN-5/16	0.313	7.95	0.453	11.51	0.375	9.53	100, 1000
CLN-3/8	0.375	9.53	0.484	12.29	0.375	9.53	100, 1000
CLN-7/16	0.438	11.13	0.531	13.49	0.375	9.53	100, 1000
CLN-1/2	0.500	12.70	0.563	14.30	0.375	9.53	100, 1000
CLN-9/16	0.563	14.30	0.594	15.09	0.500	12.70	100, 500
CLN-5/8	0.625	15.88	0.625	15.88	0.500	12.70	100, 500
CLN-11/16	0.688	17.48	0.656	16.66	0.500	12.70	100, 500
CLN-3/4	0.750	19.05	0.766	19.46	0.500	12.70	100, 500
CLN-7/8	0.875	22.23	0.813	20.65	0.500	12.70	100, 500
CLN-1	1.000	25.40	0.906	23.01	0.500	12.70	100, 500
CLN-1-1/8	1.125	28.58	0.969	24.61	0.500	12.70	100, 500
CLN-1-3/16	1.188	30.18	1.000	25.40	0.500	12.70	100, 500
CLN-1-1/4	1.250	31.75	1.000	25.40	0.500	12.70	100, 500
CLN-1-3/8	1.375	34.93	1.125	28.58	0.500	12.70	100, 500
CLN-1-1/2	1.500	38.10	1.125	28.58	0.500	12.70	100, 500

CABLE CLAMP SPECIFICATION CHART - TYPICAL PROPERTIES

Characteristics (units)	#CLE Ethyl Cellulose	#CLN Nylon	ASTM Test Method
Tensile Strength (PSI)	2,000-8,000	7,000-14,000	D-638
Flexural Strength (PSI)	4,000-12,000	13,800	D-695
Resistance to heat (° F (° C))	185 (85)	275 (135)	
Low operating temperature (° F (° C))	-40 (-40)	-60 (-51)	D-648
Dielectric Strength, short time (Volts / mil)	350-500	385	D-149